



## CH-K 30 & -K 40

### Specifications:

Direct fired absorption chiller heater with H<sub>2</sub>O/LiBr solution  
 System functionality provides Cooling & Heating  
 with an automatic control mode  
 Utilizing Natural Gas



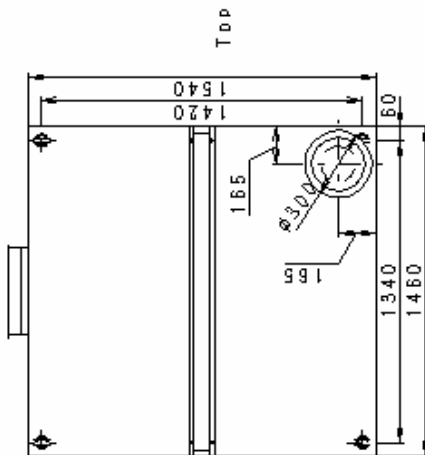
ITEM		MODEL		CH-K30	CH-K40	
Cooling Capacity				kW	105	141
Heating Capacity				kW	86	115
Chilled Water and Hot Water	Chilled Water Temperature	Inlet	°C	12.5		
		Outlet	°C	7.0		
	Hot Water Temperature	Inlet	°C	50.5		
		Outlet	°C	55.0		
	Evaporator Pressure Loss(Max) *3		kPa	70.1		
	Max Operating Pressure		kPa	588		
	Rated Water Flow		L/sec	4.60	6.10	
			m <sup>3</sup> /hr	16.6	22.0	
Water Retention Volume		L	69	87		
Cooling Water	Heat Rejection		kW	191	255	
	Cooling Water Temperature	Inlet	°C	29.5		
		Outlet	°C	35.5		
	Abs.&Cond.Pressure Loss(Max) *3		kPa	75.5		
	Max Operating Pressure		kPa	588		
	Rated Water Flow		L/sec	7.6	10.2	
			m <sup>3</sup> /hr	27.4	36.7	
Water Retention Volume		L	145	180		
Fuel	Type of fuel			Natural Gas		
	Consumption	Cooling	kW	103	138	
		Heating	kW	103	138	
Electrical	Power Supply		kPa	400VAC 50Hz 3ph. & Neutral		
	Consumption	Cooling	W	1,400	1,800	
		Heating	W	1,400	1,800	
	Control	Cooling		High fire(100%), Low fire(70%), Off		
Heating			High fire(100%) On, Off			
Combustion	Type			Forced draft		
	Ignition			Electric intermittent spark		
	Flame detection			Flame rectification(Flame rod)		
Dimension	Width		mm	1,460		
	Depth		mm	1,540 ( 1,635 )		
	Height *2		mm	2,045 ( 2,440 )		
Piping	Chilled Water		A	50	65	
	Cooling Water		A	65	80	
	Gas supply		A	40		
Weight	Dry Weight		kg	1,500	1,700	
	Operation Weight		kg	1,720	1,970	

\*1. Power consumption of Chiller Only.(excluding recirculating pumps and cooling tower fan)

\*2. Dimension in( ) include fixed plate and vent cap.

\*3. Specification are subject to change without prior notice.

\*.Fuel consumption is calculated based on higher heating value : 46,047 kJ / Nm<sup>3</sup>



Item	Piping Connection	Remarks
Chilled-Hot Water Inlet	CH-K30 CH-K40	Rc
Chilled-Hot Water Outlet	65A	Rc
Cooling Water Inlet	65A	Rc
Cooling Water Outlet	80A	Rc
Fuel Inlet	65A	Rc
Fuel Inlet	40A	Rc

Note)  
 1. Please secure minimum space for equipment maintenance:  
 left/right 0.7m front/back 1.0m. Above 1.0m  
 2. Wire inlets are on both left and right sides.  
 3. All dimensions are in mm.

